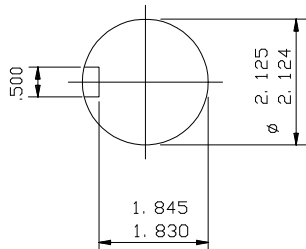
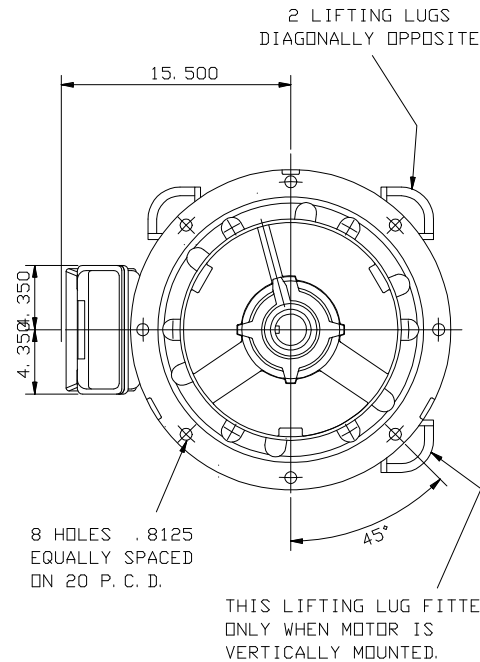


CABLE ENTRY
SCREWED 3" N. P. T.



ENLARGED VIEW OF
SHAFT EXTENSION
(SCALE 1:2)



8 HOLES .8125
EQUALLY SPACED
ON 20 P. C. D.

THIS LIFTING LUG FITTED
ONLY WHEN MOTOR IS
VERTICALLY MOUNTED.

NOTE: -
CABLE ENTRY CAN BE SUPPLIED IN
ANY ONE OF FOUR POSITIONS AT
90° INTERVALS.

NOTE: -
STANDARD MACHINES ARE ARRANGED FOR HORIZONTAL OVERHUNG MOUNTING.
CUSTOMERS SHOULD NOTIFY US WHEN ORDERING IF VERTICAL MOUNTING
IS REQUIRED. IF VERTICAL, THE MOTOR THRUST BEARING MUST NOT BE
ALLOWED TO TAKE ANY LOAD OTHER THAN THE WEIGHT OF THE ROTOR
WITHOUT OUR APPROVAL.

CUSTOMER		
ORDER No.		
SERIAL No.		
FRAME SIZE		
HP	RPM.	
Hz	PHASE 3	
VOLTS	POLES	
BRGS.	DE.	NDE.
MOTOR NETT. WT.	Kg.	
INSULATION CLASS		
TEMPERATURE RISE °C		
DESIGN AMBIENT TEMPERATURE °C		
HEATER WATTS & VOLTS		WATTS, VOLTS

REMARKS

BROOK CROMPTON
PRELIMINARY

Large Industrial Motors
Guiseley, LEEDS LS20 9NZ

ALL DIMENSIONS IN INCHES



BROOK CROMPTON

Large Industrial Motors
GUISELEY, LEEDS, LS20 9NZ.

NOTE 1
* ENDPLAY WILL BE PROVIDED FOR ENDTHRUST
PROTECTION WHEN CUSTOMERS NOTIFY US OF THEIR
INTENTION TO USE RIGID COUPLINGS AND DRIVEN
MACHINES WITHOUT ENDPLAY.

OUTLINE DIMENSIONS OF STANDARD D FLANGE MOUNTED INCH A. C. MOTOR
TO NEMA STD. MG1. TOTALLY ENCLOSED FAN COOLED.
FITTED WITH SIDE MOUNTED TERMINAL BOX
FRAME SIZE : -W-DF405TS-N (2 POLE)

SCALE	1:8	DATE
DRAWN	B.T. THOMS	23.2.94
CHECKED	B.J.T.	23.2.94
APPROVED	I.J.W.	23.2.94

DRG. No.	M9569		
REVISION:		DATE	